

High-Efficiency Cutter K 126



High-Efficiency Cutter K 126

The Seydelmann High Efficiency Cutter guarantees a fast and smooth reduction and emulsification of the product thanks to the knife head with 6 knives and the flow dynamically shaped lid. The components of all Seydelmann Machines comply with the up-to-date technical development and contribute to an increase in product quality.

Facts

Bowl content:	120 Liters
Weight:	1800 kg / 3968 lbs
Loading options:	BW 120, BW 200
Power of motor:	
ultra v:	32 kW / 43 HP
ultra vs:	45 kW / 60 HP
AC-8:	80 kW / 107 HP

Machine design

The machine frame of the K 126 is almost entirely made of solid stainless steel. All edges are rounded and all surfaces are polished very precisely and designed with a slope enabling cleaning water to drain completely from all surfaces. The embedded covers and the closed bottom with ventilation prevent pollution and water from entering the machine. The knife hood is flow dynamically shaped. Hardly any unchopped product residue is left in the cover. The gap between the knives and the cover or the bowl is very small.

Applications

Besides the production of boiled-, dry- and cooked sausage, the universally applicable machine is suitable in particular for the chopping, mixing and emulsification of fresh meat, pre-cut frozen meat, cooked meat, fish, vegetables, meat substitute products made from plant-based proteins, fruits, confectionary goods and other edibles at temperatures from -12 °C (10 °F) up to 85 °C (185 °F).



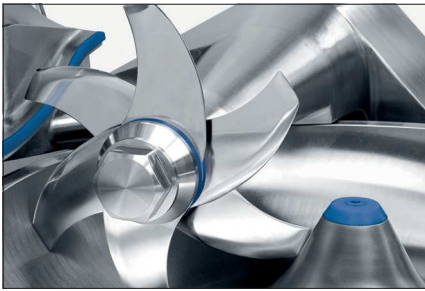
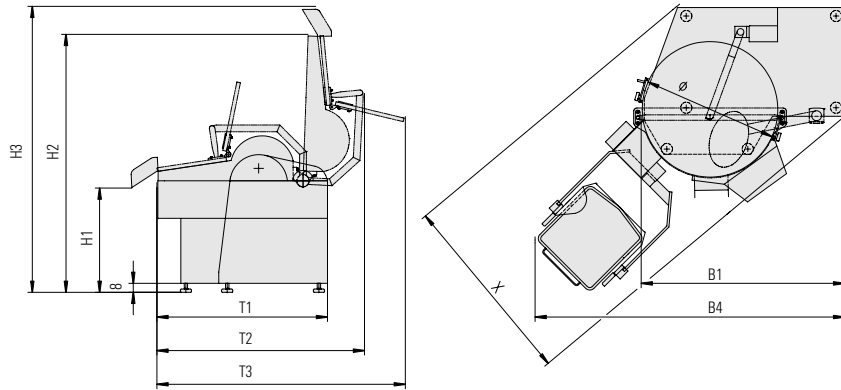
Maschinenfabrik Seydelmann KG

info@seydelmann.com Tel. +49 (0)711 / 49 00 90-0 Hoelderlinstrasse 9
www.seydelmann.com Fax +49 (0)711 / 49 00 90-90 70174 Stuttgart, Germany

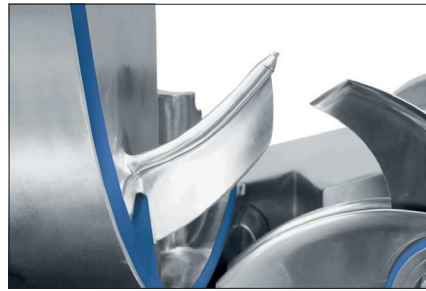
Cutters · Mixers · Grinders
Emulsifiers · Production Lines

Measurements

- H1 = 890 mm / 35.0 in
- H2 = 1720 mm / 67.7 in
- H3 = 2110 mm / 83.1 in
- T1 = 1240 mm / 48.8 in
- T2 = 1470 mm / 57.9 in
- T3 = 1760 mm / 69.3 in
- B1 = 1610 mm / 63.4 in
- B4 = 2760 mm / 108.7 in
- X = 1250 mm / 49.2 in



Knife head



Temperature sensor



Auto-Command 4000 (optional)

Standard equipment

- Changeable and balanceable knife head
- Hydraulic main cover and ejector
- See-through noise absorbing cover made of special plastic
- Separate electrical cabinet made of stainless steel with integrated main switch
- Switch-off for temperature and operating time
- Temperature sensor
- Noise insulation
- Water drain screw

Additional equipment

- Hydraulic loading device
- Control of unbalanced state
- Operation via cross lever switches
- Various knife systems
- Up to 9 switch-offs for temperature and operating time
- Cabel duct
- Variable adjustment of knife speed (only with AC-motor)
- 4 bowl speeds, steplessly adjustable (only with AC-Motor)
- Water nozzles with water meter
- Liquids dosing system with nozzle
- Ejector with variable speeds
- Greasing point
- Lock of noise absorbing cover
- Cover damping for noise absorbing cover
- Noise insulation version

Control: Auto-Command 1000

- 21,5" touch wide-screen LED color display
- Stainless steel housing
- Computer based automatic control
- Display of all technical parameters
- Program control
- 30 programs with up to 10 steps each
- Switching off or on when reaching up to 9 pre-programmable temperature or time values
- User-friendly logical design
- Display of maintenance and service intervals

Optional Auto-Command 2000, 3000, 4000

- 24.0" touch wide-screen LED color display
- Waterproof design IP 69
- Advanced recipe control with display of required ingredients and recipes
- User management
- Data recording
- Production plan
- Second workstation outside the production room possible
- Connection to MES or ERP systems possible

Motor types

AC-8

- 6 steplessly programmable knife speeds
- 2 reverse mixing speeds
- 2 separate bowl speeds
- Frequency-controlled 3-phase motor

Ultra

- 2 knife speeds
- 2 forward mixing speeds
- On request: 2 reverse mixing speeds
- 2 separate bowl speeds
- All drive systems with 3-phase motors